

The ball type visual flow indicator is a high quality, inexpensive device that permits visual detection of liquid flowing through a line. The agitation and movement of the multicolored balls contained within a clear Lexan® dome enables 180° visibility for flow indication. The high strength forged brass body assures long service life, chemical compatibility, and rigidity. It is self cleaning and adaptable to panel mounting.



### Key Features

- Low cost, compact size
- Six sizes: ¼" to 1" NPTF
- Solid brass body
- Lexan® (polycarbonate) liner and dome
- Self-cleaning ball action
- Easy installation (inline or panel mount)

### Typical Applications

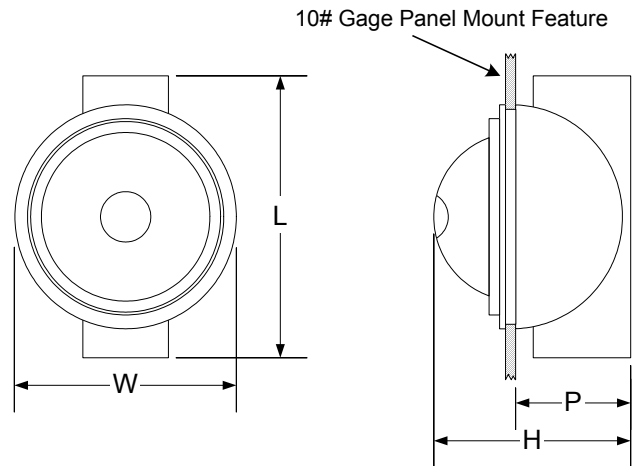
- Welding and machine tools coolants
- Die cast, injection molding and extrusion machines
- Paint and varnish lines
- Oil drilling equipment
- Plating equipment
- Paper industry process lines

### Maximum Pressure Rating

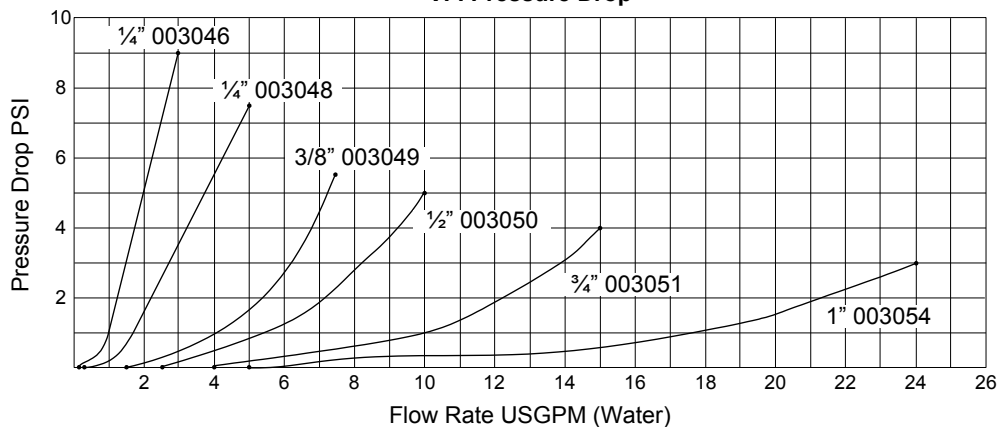
125 PSIG (1000 kPag) up to 120°F (49°C)

### Available Sizes

Size	Model Number	Optimal Operating Range	Liner Number
¼" NPTF (low flow)	003046	0.2 - 3 USGPM	003007
¼" NPTF	003048	0.4 - 5 USGPM	003007
⅜" NPTF	003049	1.5 - 7.5 USGPM	003007
½" NPTF	003050	2.5 - 10 USGPM	003007
¾" NPTF	003051	4.0 - 15 USGPM	003008
1" NPTF	003054	5.0 - 24 USGPM	003008



VFI Pressure Drop



### Dimensions

Model	W	L	H	P
003046	2 <sup>3</sup> / <sub>8</sub>	3 <sup>1</sup> / <sub>8</sub>	2 <sup>3</sup> / <sub>16</sub>	1 <sup>3</sup> / <sub>8</sub>
003048	2 <sup>3</sup> / <sub>8</sub>	3 <sup>1</sup> / <sub>8</sub>	2 <sup>3</sup> / <sub>16</sub>	1 <sup>3</sup> / <sub>8</sub>
003049	2 <sup>3</sup> / <sub>8</sub>	3 <sup>1</sup> / <sub>8</sub>	2 <sup>3</sup> / <sub>16</sub>	1 <sup>3</sup> / <sub>8</sub>
003050	2 <sup>3</sup> / <sub>8</sub>	3 <sup>1</sup> / <sub>8</sub>	2 <sup>3</sup> / <sub>16</sub>	1 <sup>3</sup> / <sub>8</sub>
003051	2 <sup>3</sup> / <sub>8</sub>	3 <sup>1</sup> / <sub>8</sub>	2 <sup>3</sup> / <sub>16</sub>	1 <sup>3</sup> / <sub>8</sub>
003054	2 <sup>3</sup> / <sub>8</sub>	3 <sup>1</sup> / <sub>8</sub>	2 <sup>5</sup> / <sub>8</sub>	1 <sup>7</sup> / <sub>8</sub>

**Muis Controls Ltd. - Flow Meters · Flow Controls**

29 Riel Drive, St. Albert, AB, Canada T8N 3Z2  
 Ph +1-780-459-7080 Fx +1-780-459-7085 Toll Free 1-800-661-8823  
 www.muiscontrols.com info@muiscontrols.com